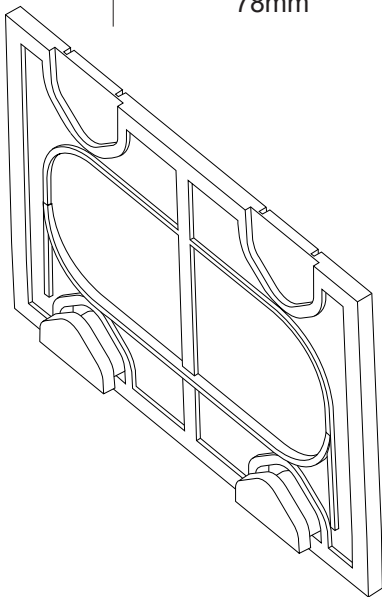
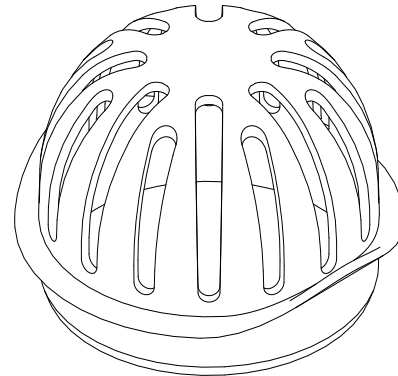
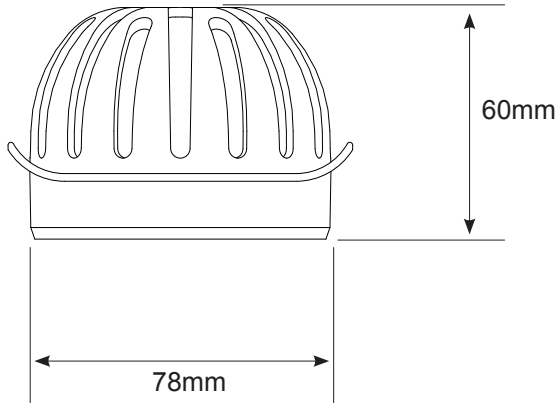


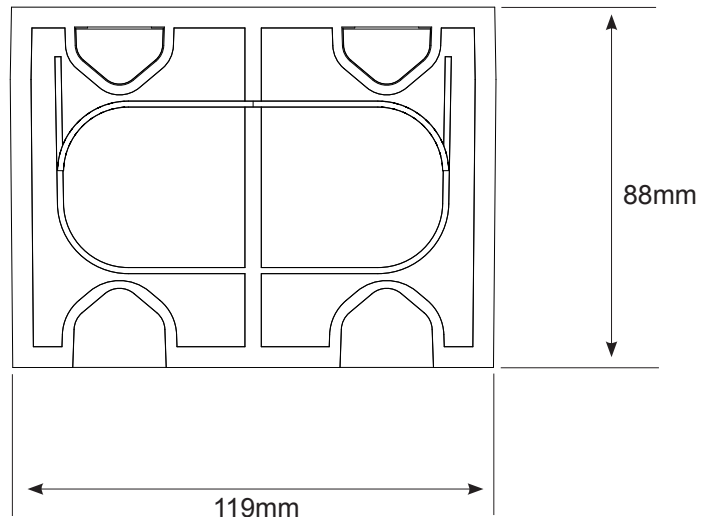
Linear Pavement Drain Accessory Pack

CODE GPD-AP

Leaf Trap (Code: GPD-LT)



End Cap (Code: GPD-EC)



Packing details	Sealed in a bag containing 2 end caps, 1 leaf trap and fitting instructions.
Weight	0.8kg
Colour	Black
Material	Polypropylene
Manufacturing Process	Injection Moulded

Features:

The leaf trap slots into place once the desired hole has been removed from the channel. The leaf trap locates just below the underside of the grate which prevents it from floating out of place in heavy rainfall.

The end cap will fit to either end of the channel by means of a simple push on clip fit. At the male end of the channel, you must remove the thinned tabs on the endcap using a knife or pair of pliers first.

MANTHORPE BUILDING PRODUCTS LTD
MANTHORPE HOUSE
BRITAIN DRIVE
CODNOR GATE BUSINESS PARK
RIPLEY
DERBYSHIRE DE5 3ND

TEL: 01773 514 200
FAX: 01773 514 262
EMAIL: sales@manthorpe.co.uk
WEB: www.manthorpe.co.uk

DRN M.R

Date 1/12/06

DRG No

MBP 8245

Issue

A

The company maintains a policy of continuous development of its product range and reserves the right to amend the specification without notice.