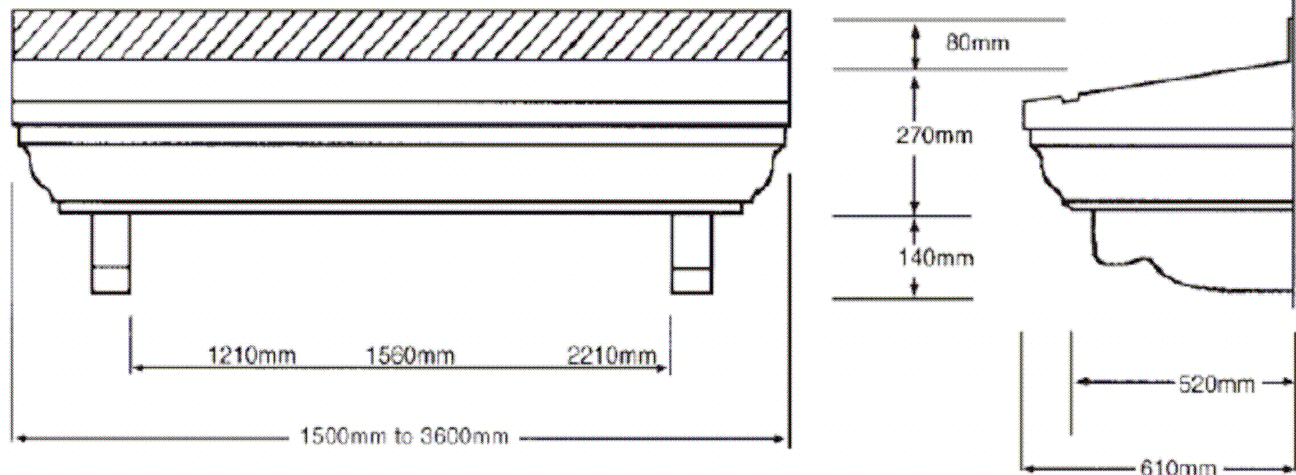


The Warwick

Standard Overall Widths: 1500mm – 1800mm

Can be made in any width up to 3.6 metres.



Fitting Instructions for Warwick

1. Find centre of door opening and measure out position for the support brackets, this can vary as long as they fit under the base ends.
2. Fix the brackets level onto the wall using plugs, screws, and cover caps provided.
3. Position bottom tray onto brackets and centralise with the door opening, screw back against wall and fix end of each bracket into tray.
4. Slide top onto bottom tray flange and fix back to wall through the lead look upstand at approximately 300mm intervals.
5. Clean off any dust or dirt and seal using suitable silicone sealant.
6. Your installation is now completed.

Your canopy will give years of maintenance free service and requires only the occasional wash with warm soapy water.

NB Do not use abrasive or solvent cleaners on this product.